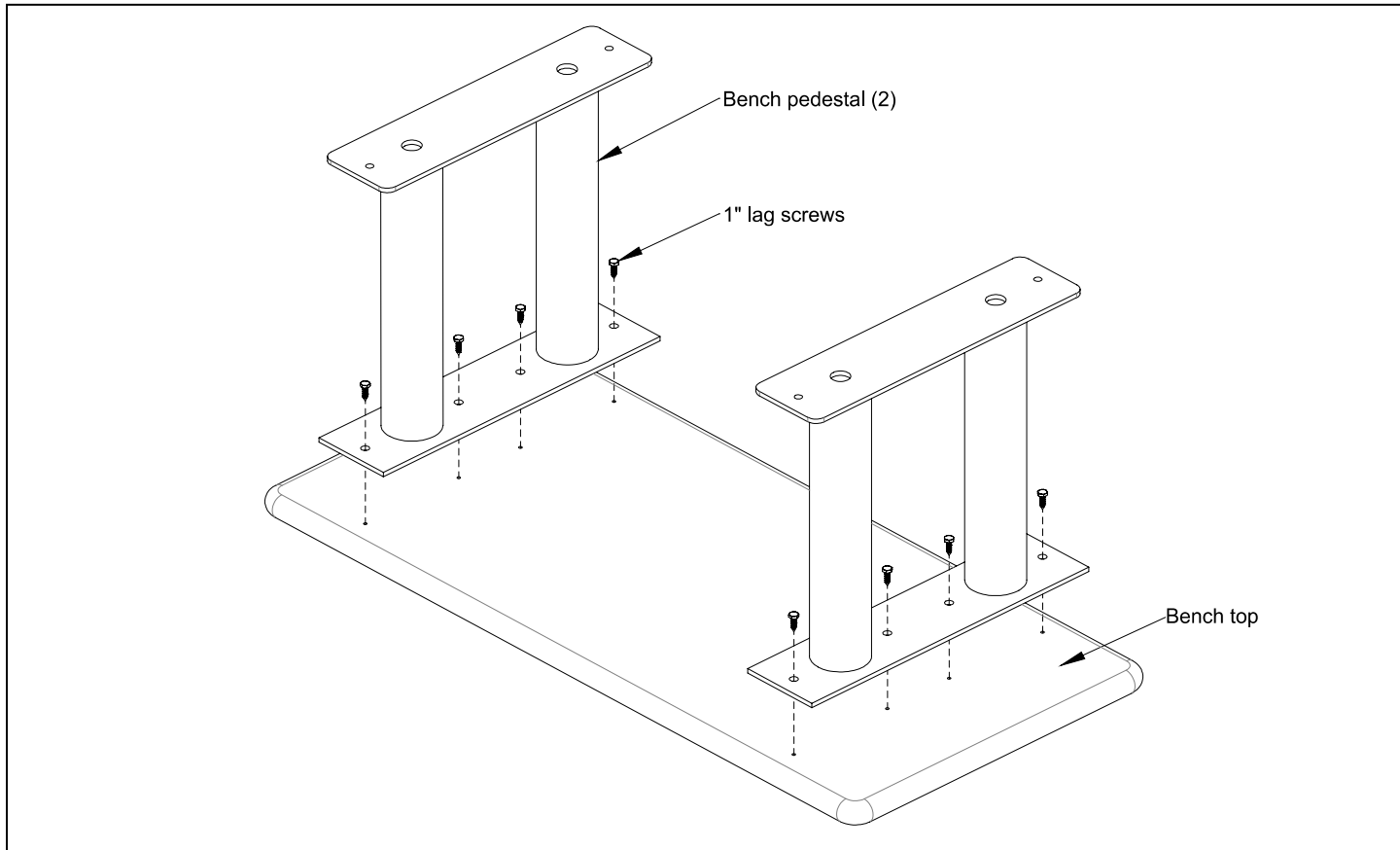


Wood ADA Locker Bench (without back)

Assembly & Installation Instructions

Thank you for selecting Salsbury Wood ADA locker benches. We are confident that the quality and construction of this product will provide years of maintenance free use.



Preliminary Notes

There are two basic steps to assembly and installation:

1. The bench pedestals must be assembled to the bench top.
2. The bench assembly must be bolted to the floor.

Failure to bolt the bench assembly to the floor could result in injury to persons sitting on the bench.

Since various types of floors require different types of fasteners, floor installation hardware is not provided.

Two bench pedestals are provided for each bench top. All necessary holes are pre-drilled in the wood bench top. Eight (8) 1/4" diameter x 1" long lag screws are provided for attaching the bench pedestals to the bench top.

Assembly

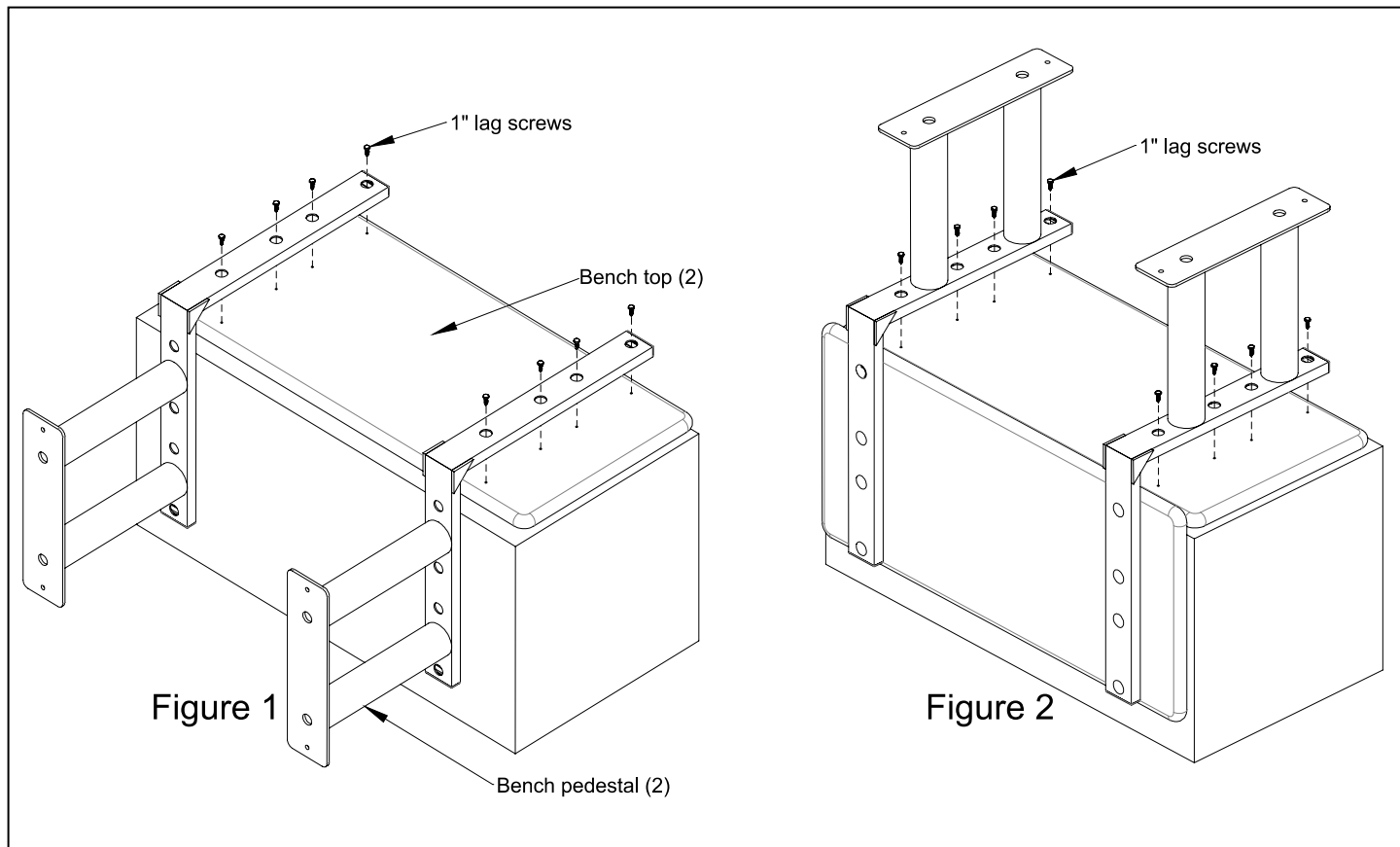
Place the bench top upside down on a flat surface, so that the pre-drilled holes are facing up. Align the two bench pedestals with the two rows of pre-drilled holes, placing the plate with non-rounded corners against the bench top as shown in the diagram. Fasten pedestals to the bench top using the included lag screws.

Complete the installation by fastening the assembled bench to the floor.

Wood ADA Locker Bench (with back)

Assembly & Installation Instructions

Thank you for selecting Salsbury Wood ADA locker benches. We are confident that the quality and construction of this product will provide years of maintenance free use.



Preliminary Notes

There are two basic steps to assembly and installation:

1. The bench pedestals must be assembled to the bench top.
2. The bench assembly must be bolted to the floor.

Failure to bolt the bench assembly to the floor could result in injury to persons sitting on the bench.

Since various types of floors require different types of fasteners, floor installation hardware is not provided.

Two bench pedestals are provided with identical bench tops. All necessary holes are pre-drilled in the wood bench tops. Sixteen (16) 1/4" diameter x 1" long lag screws are provided for attaching the bench pedestals to the bench tops.

Assembly

Place one bench top upside down on a flat raised work surface, so that the pre-drilled holes are facing up. Align the vertical members of the two bench pedestals with the two rows of pre-drilled holes, as shown in Figure 1. Fasten pedestals to the bench top using the eight (8) lag screws, and install round hole plugs in all holes on the pedestals' vertical members.

Place the remaining bench top upside down on the work surface. Align the horizontal members of the pedestals as before, and as shown in Figure 2. Fasten pedestals to the bench top using the remaining lag screws, and install round hole plugs on the horizontal members.

Complete the installation by fastening the assembled bench to the floor.