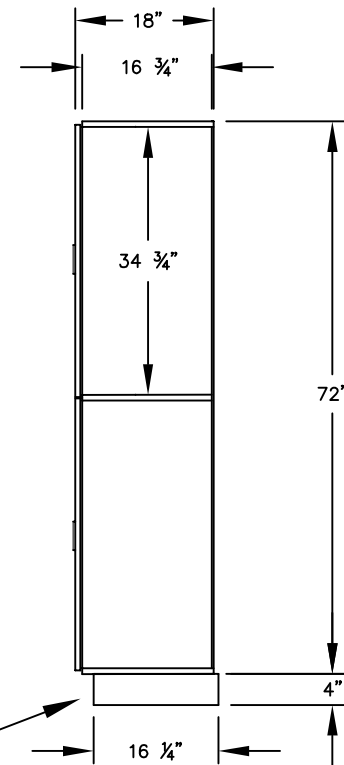


(NOTE: DESIGNER LOCKER SHOWN WITHOUT SIDE PANEL OR SLOPING HOOD. PLEASE ORDER SEPARATELY.)

MODEL #22368
EXTRA WIDE DOUBLE TIER
DESIGNER LOCKER - 3 WIDE

(6) LOCKER COMPARTMENTS
EACH COMPARTMENT:
13 3/4" W x 34 3/4" H x 16 3/4" D

SIDE VIEW



(BASES ARE MADE OF INDUSTRIAL GRADE PARTICLEBOARD AND ARE COVERED IN A DURABLE BLACK LAMINATE. PLEASE SET BASE TO ALLOW 5/8" BETWEEN THE BACK OF THE LOCKER AND THE WALL FOR AIR VENTILATION.)

MODEL #22368

18" DEEP EXTRA WIDE DOUBLE TIER
DESIGNER LOCKER
SIX FEET HIGH (ADD 4" FOR BASE)

AVAILABLE FINISHES: GRAY, BLUE, BLACK,
MAPLE, CHERRY OR MAHOGANY

DRAWN: 02/12

***Established in 1936, Salsbury Industries
is the industry leader in manufacturing and distributing
quality lockers and storage solutions.***