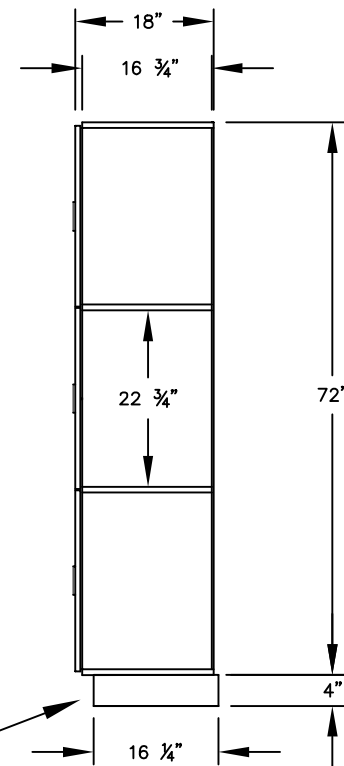


MODEL #23168  
EXTRA WIDE TRIPLE TIER  
DESIGNER LOCKER - 1 WIDE

(3) LOCKER COMPARTMENTS  
EACH COMPARTMENT:  
13  $\frac{3}{4}$ " W x 22  $\frac{3}{4}$ " H x 16  $\frac{3}{4}$ " D

(NOTE: DESIGNER LOCKER  
SHOWN WITHOUT SIDE PANEL  
OR SLOPING HOOD. PLEASE  
ORDER SEPARATELY.)

SIDE VIEW



(BASES ARE MADE OF INDUSTRIAL GRADE  
PARTICLEBOARD AND ARE COVERED IN A  
DURABLE BLACK LAMINATE. PLEASE SET  
BASE TO ALLOW  $\frac{5}{8}$ " BETWEEN THE BACK OF  
THE LOCKER AND THE WALL FOR AIR  
VENTILATION.)

MODEL #23168

18" DEEP EXTRA WIDE TRIPLE TIER  
DESIGNER LOCKER  
SIX FEET HIGH (ADD 4" FOR BASE)

AVAILABLE FINISHES: GRAY, BLUE, BLACK,  
MAPLE, CHERRY OR MAHOGANY

DRAWN: 02/12

***Established in 1936, Salsbury Industries  
is the industry leader in manufacturing and distributing  
quality lockers and storage solutions.***