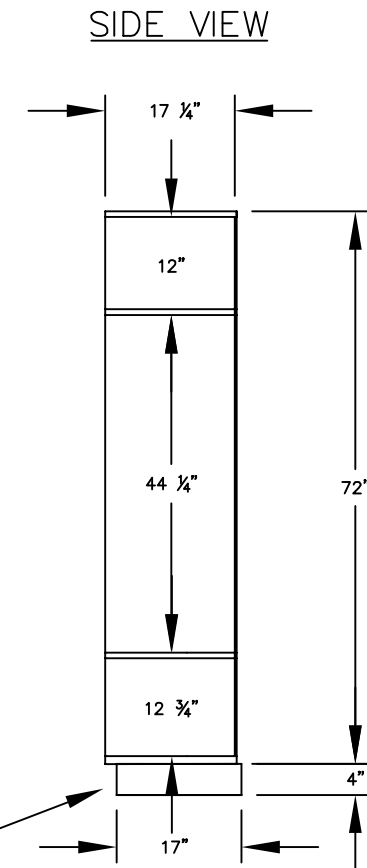


MODEL #30018  
OPEN ACCESS DESIGNER LOCKER



(BASES ARE MADE OF INDUSTRIAL GRADE PARTICLEBOARD AND ARE COVERED IN A DURABLE BLACK LAMINATE. PLEASE SET BASE TO ALLOW  $\frac{5}{8}$ " BETWEEN THE BACK OF THE LOCKER AND THE WALL FOR AIR VENTILATION.)

MODEL #30018

OPEN ACCESS DESIGNER LOCKER  
SIX FEET HIGH (ADD 4" FOR BASE)

AVAILABLE FINISHES: GRAY, BLUE, BLACK,  
MAPLE, CHERRY OR MAHOGANY

DRAWN: 03/12

***Established in 1936, Salsbury Industries  
is the industry leader in manufacturing and distributing  
quality lockers and storage solutions.***