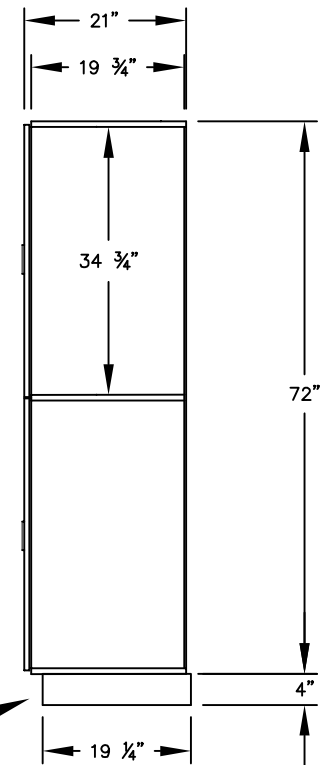


(NOTE: DESIGNER LOCKER SHOWN WITHOUT SIDE PANEL OR SLOPING HOOD. PLEASE ORDER SEPARATELY.)

MODEL #32161  
DOUBLE TIER  
DESIGNER LOCKER - 1 WIDE

(2) LOCKER COMPARTMENTS  
EACH COMPARTMENT:  
10 3/4" W x 34 3/4" H x 19 3/4" D

SIDE VIEW



(BASES ARE MADE OF INDUSTRIAL GRADE PARTICLEBOARD AND ARE COVERED IN A DURABLE BLACK LAMINATE. PLEASE SET BASE TO ALLOW 5/8" BETWEEN THE BACK OF THE LOCKER AND THE WALL FOR AIR VENTILATION.)

MODEL #32161

21" DEEP DOUBLE TIER  
DESIGNER LOCKER  
SIX FEET HIGH (ADD 4" FOR BASE)

AVAILABLE FINISHES: GRAY, BLUE, BLACK,  
MAPLE, CHERRY OR MAHOGANY

DRAWN: 02/12

***Established in 1936, Salsbury Industries  
is the industry leader in manufacturing and distributing  
quality lockers and storage solutions.***