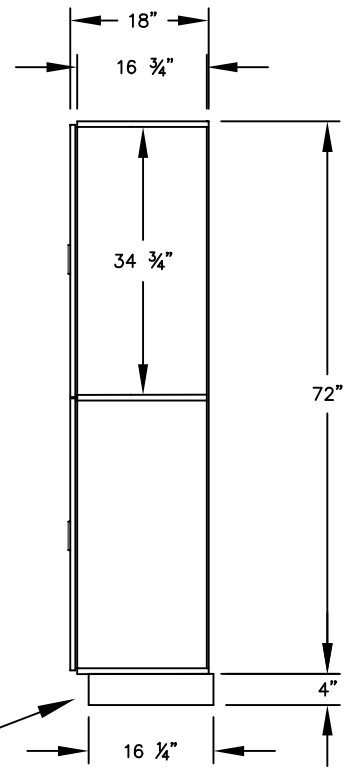


(NOTE: DESIGNER LOCKER SHOWN WITHOUT SIDE PANEL OR SLOPING HOOD. PLEASE ORDER SEPARATELY.)

MODEL #32368  
 DOUBLE TIER  
 DESIGNER LOCKER - 3 WIDE  
 (6) LOCKER COMPARTMENTS  
 EACH COMPARTMENT:  
 10 3/4" W x 34 3/4" H x 16 3/4" D

SIDE VIEW



(BASES ARE MADE OF INDUSTRIAL GRADE PARTICLEBOARD AND ARE COVERED IN A DURABLE BLACK LAMINATE. PLEASE SET BASE TO ALLOW 5/8" BETWEEN THE BACK OF THE LOCKER AND THE WALL FOR AIR VENTILATION.)

MODEL #32368

18" DEEP DOUBLE TIER  
 DESIGNER LOCKER  
 SIX FEET HIGH (ADD 4" FOR BASE)

AVAILABLE FINISHES: GRAY, BLUE, BLACK,  
 MAPLE, CHERRY OR MAHOGANY

DRAWN: 02/12

**Established in 1936, Salsbury Industries**  
*is the industry leader in manufacturing and distributing*  
**quality lockers and storage solutions.**