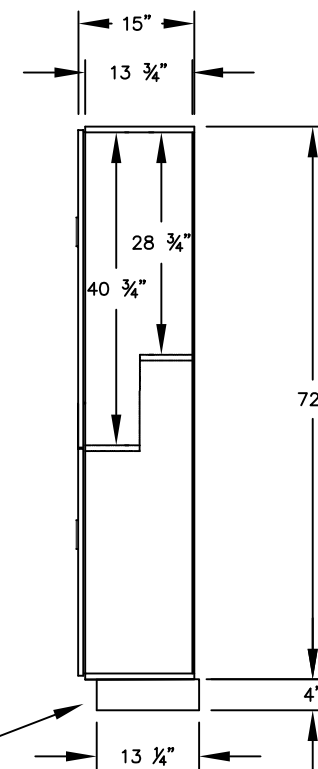


**MODEL #37165**  
**12" WIDE DOUBLE TIER 'S' STYLE**  
**DESIGNER WOOD LOCKER – 1 WIDE**

(2) LOCKER COMPARTMENTS  
 EACH COMPARTMENT:  
 10-3/4" W x 40-3/4" H x 13-3/4" D

(THE DOUBLE TIER 'S' STYLE DESIGNER  
 LOCKER INCREASES EACH COMPARTMENT  
 ON ONE SIDE TO ACCOMMODATE GARMENTS.)

**SIDE VIEW**



(BASES ARE MADE OF INDUSTRIAL GRADE  
 PARTICLEBOARD AND ARE COVERED IN A  
 DURABLE BLACK LAMINATE. PLEASE SET  
 BASE TO ALLOW 5/8" BETWEEN THE BACK OF  
 THE LOCKER AND THE WALL FOR AIR  
 VENTILATION.)

(NOTE: DESIGNER LOCKER  
 SHOWN WITHOUT SIDE PANEL  
 OR SLOPING HOOD. PLEASE  
 ORDER SEPARATELY.)

**MODEL #37165**

12" WIDE DOUBLE TIER 'S' STYLE  
 DESIGNER WOOD LOCKER  
 SIX FEET HIGH (ADD 4" FOR BASE)

AVAILABLE FINISHES: GRAY, BLUE, BLACK,  
 MAPLE, CHERRY OR MAHOGANY

DRAWN: 3/2020

***Established in 1936, Salsbury Industries is the industry  
 leader in manufacturing and distributing quality lockers.***