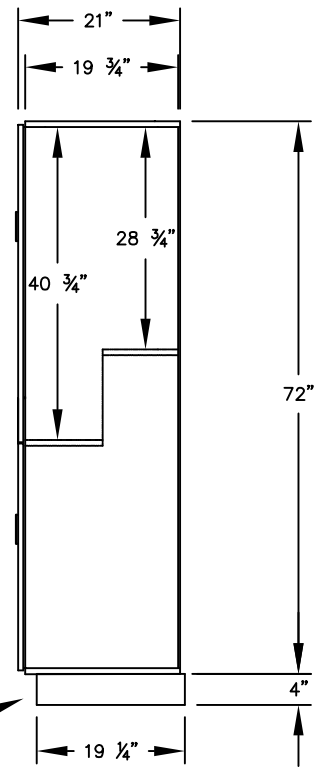


(NOTE: DESIGNER LOCKER SHOWN WITHOUT SIDE PANEL OR SLOPING HOOD. PLEASE ORDER SEPARATELY.)

MODEL #37361  
 DOUBLE TIER 'S' STYLE  
 DESIGNER LOCKER - 3 WIDE

(6) LOCKER COMPARTMENTS  
 EACH COMPARTMENT:  
 10 3/4" W x 40 3/4" H x 19 3/4" D

(THE DOUBLE TIER 'S' STYLE DESIGNER LOCKER INCREASES EACH COMPARTMENT ON ONE SIDE TO ACCOMMODATE GARMENTS.)



(BASES ARE MADE OF INDUSTRIAL GRADE PARTICLEBOARD AND ARE COVERED IN A DURABLE BLACK LAMINATE. PLEASE SET BASE TO ALLOW 5/8" BETWEEN THE BACK OF THE LOCKER AND THE WALL FOR AIR VENTILATION.)

MODEL #37361

21" DEEP DOUBLE TIER 'S' STYLE  
 DESIGNER LOCKER  
 SIX FEET HIGH (ADD 4" FOR BASE)

AVAILABLE FINISHES: GRAY, BLUE, BLACK,  
 MAPLE, CHERRY OR MAHOGANY

DRAWN: 02/12

***Established in 1936, Salsbury Industries  
 is the industry leader in manufacturing and distributing  
 quality lockers and storage solutions.***